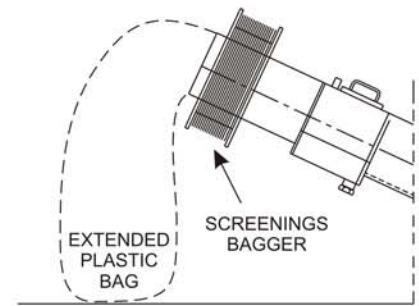
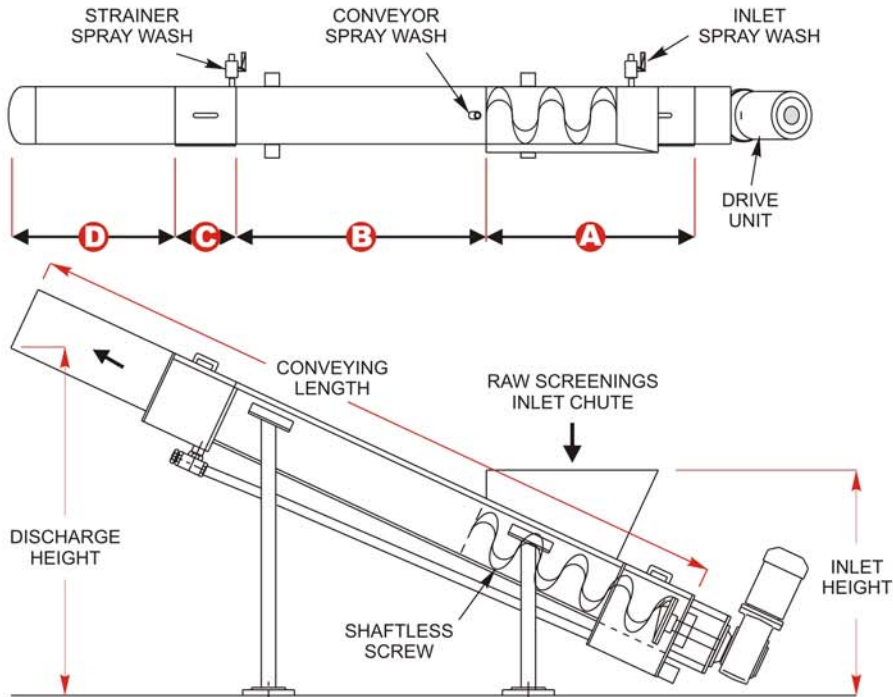
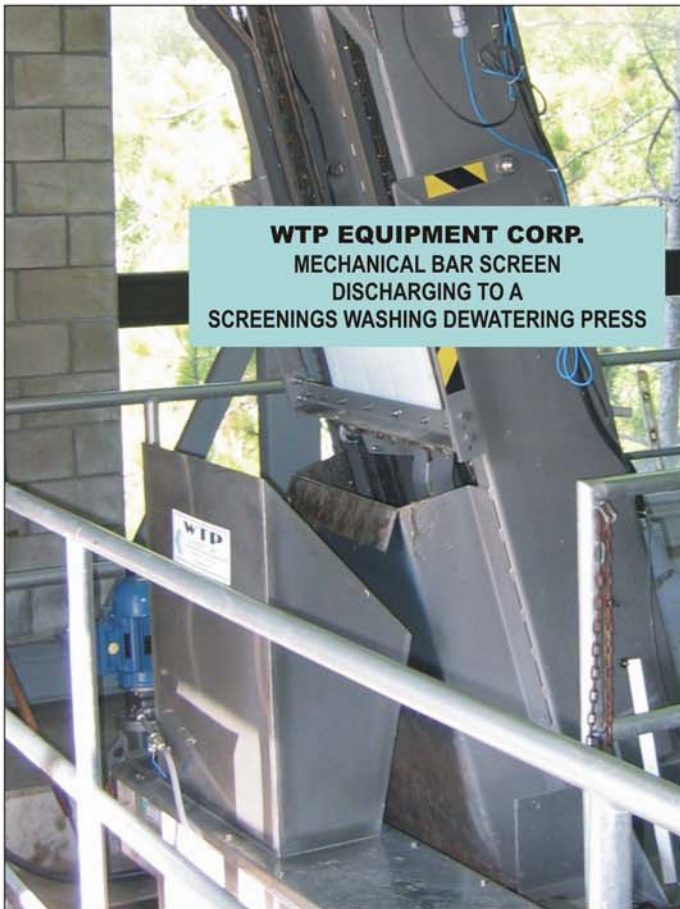


SCREENINGS WASHING DEWATERING PRESS



OPTIONAL SCREENINGS BAGGER

D	DISCHARGE TROUGH
C	DEWATERING STRAINER
B	CONVEYING U-TROUGH
A	INLET WASHER
PROCESS STAGE	
MODEL CPW	



WTP EQUIPMENT CORP.
MECHANICAL BAR SCREEN
DISCHARGING TO A
SCREENINGS WASHING DEWATERING PRESS



FEATURES

- Shaftless screw dewateres and compacts coarse and stringy wastewater screenings - no internal shaft or bearings that may cause plugging.
- Dewatering strainer separates out liquid prior to discharging processed screenings.
- Screenings Washing Stage at inlet chute for reduction of organics in discharged screenings.
- Completely enclosed operation for containment, odor control and safety; u-trough with bolted cover allows easy internal access.



WTP EQUIPMENT CORP.

Manufacturers of Engineered Environmental Treatment Systems

TORONTO, CANADA

www.wtpcorp.com

© 2004 WTP EQUIPMENT CORP.
ALL RIGHTS RESERVED

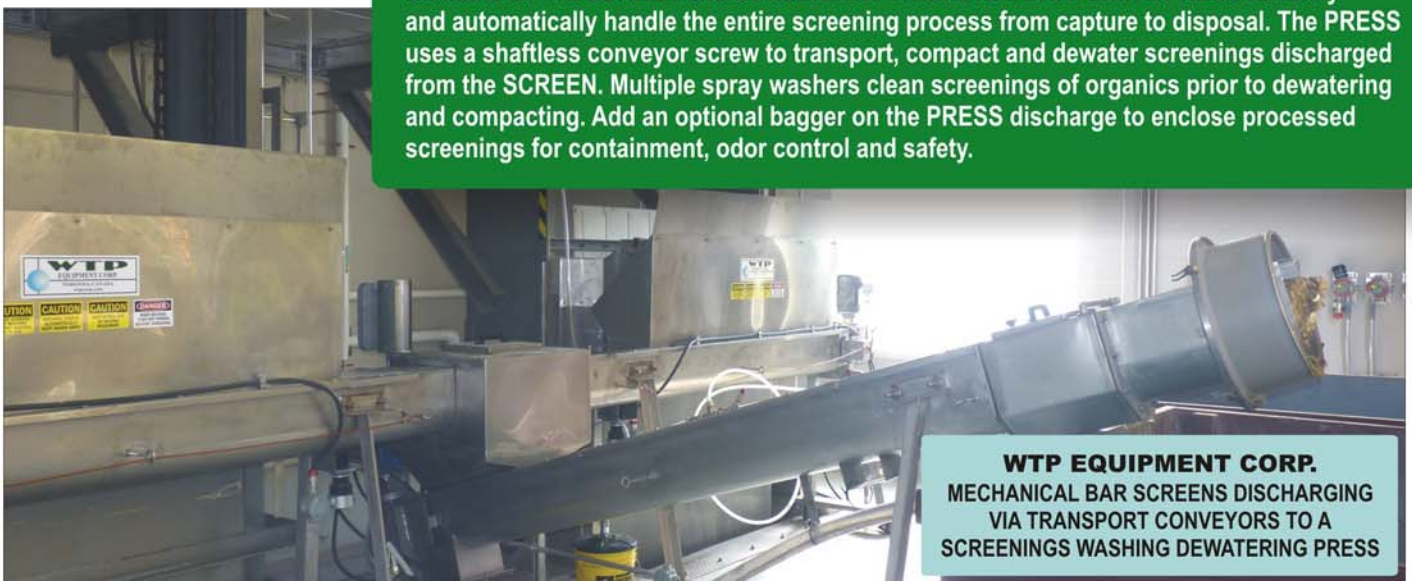
SCREENINGS HANDLING SYSTEM



WTP EQUIPMENT CORP.
FILTER BELT FINE SCREEN
DISCHARGING TO A
SCREENINGS WASHING DEWATERING PRESS

CAPTURE, REMOVE, PROCESS AND DISPOSE FINE SCREENINGS

Combine a FINE SCREEN and SCREENINGS WASHING DEWATERING PRESS to safely and automatically handle the entire screening process from capture to disposal. The PRESS uses a shaftless conveyor screw to transport, compact and dewater screenings discharged from the SCREEN. Multiple spray washers clean screenings of organics prior to dewatering and compacting. Add an optional bagger on the PRESS discharge to enclose processed screenings for containment, odor control and safety.



WTP EQUIPMENT CORP.
MECHANICAL BAR SCREENS DISCHARGING
VIA TRANSPORT CONVEYORS TO A
SCREENINGS WASHING DEWATERING PRESS



WTP EQUIPMENT CORP.

Manufacturers of Engineered Environmental Treatment Systems

TORONTO, CANADA

www.wtpcorp.com

© 2004 WTP EQUIPMENT CORP.
ALL RIGHTS RESERVED