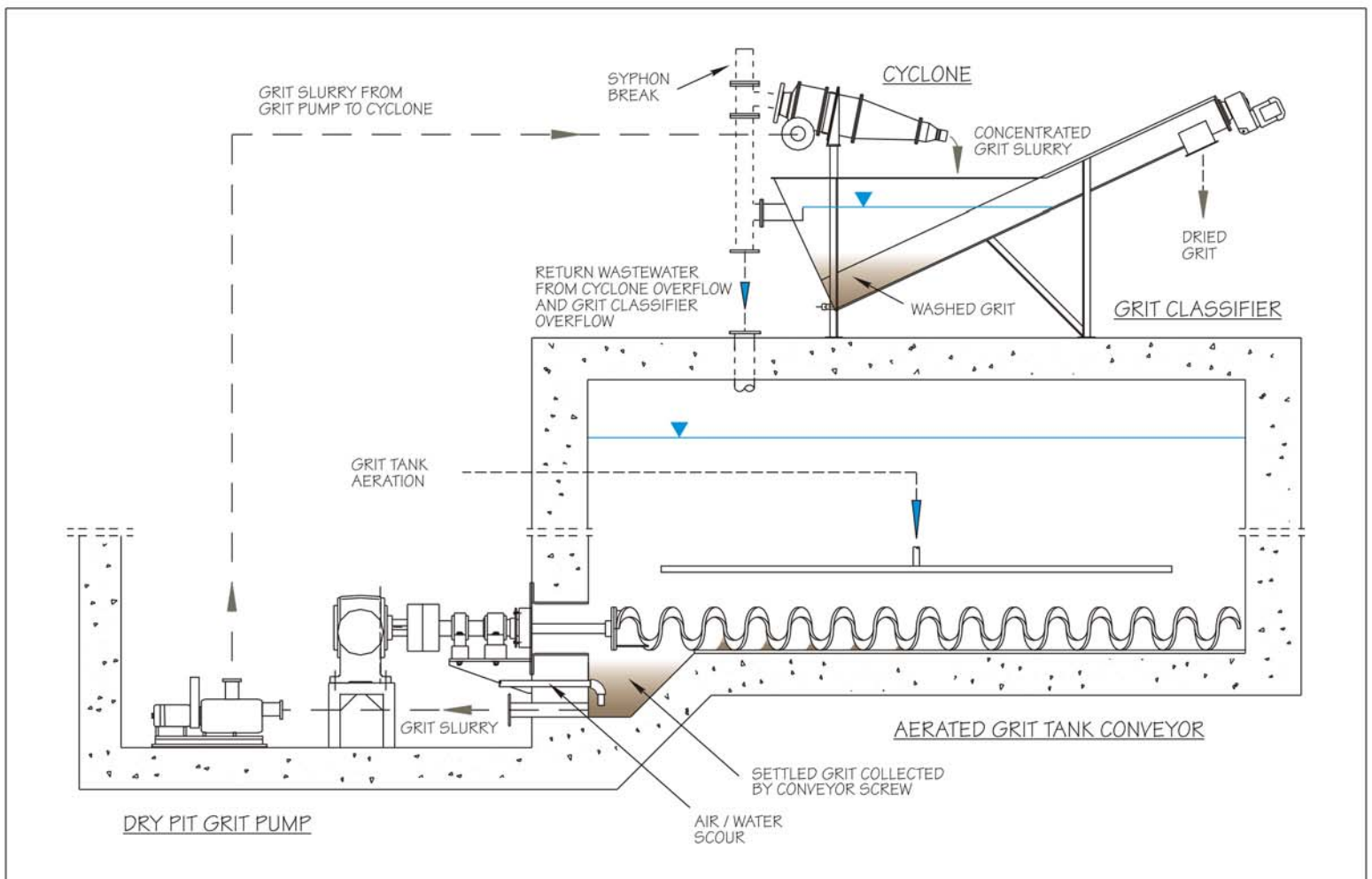


# GRIT COLLECTORS

GRIT SCREW COLLECTORS for collection and transport of settled grit from a continuous flow thru aerated grit tank. Ideal for retrofit to automate older clam-bucket type rectangular grit tanks.



## AERATED GRIT TANK COLLECTOR WITH DRY-PIT MOUNTED DRIVE



**WTP EQUIPMENT CORP.**

Manufacturers of Engineered Environmental Treatment Systems

TORONTO, CANADA

[www.wtpcorp.com](http://www.wtpcorp.com)

© 2003 WTP EQUIPMENT CORP.  
ALL RIGHTS RESERVED

# GRIT COLLECTORS



**INCLINED GRIT COLLECTOR**

Shafted or shaftless screw GRIT COLLECTORS for collection and transport of settled grit from a continuous flow thru grit tank. Cost effective, automatic grit removal system for small and intermediate size wastewater plants.

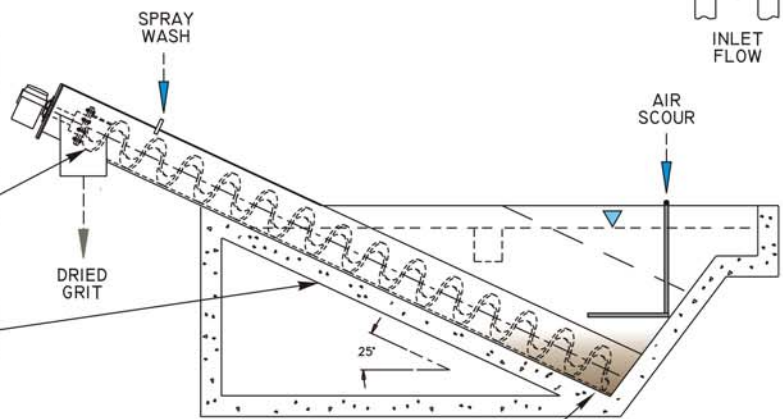
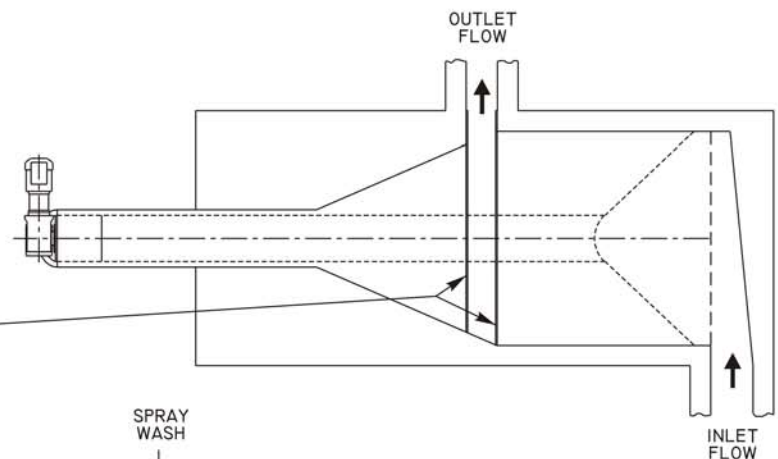
DUAL EXTRA LONG OVERFLOW WEIRS MINIMIZE CARRYOVER

DRIVE UNIT LOCATED OUT OF TANK FOR EASY ACCESS.

SHAFTLESS CONVEYOR SCREW - NO SUBMERGED BEARINGS

GRAVITY SETTLING TANK - NO MIXERS REQUIRED

AUTOMATIC TIMED CONVEYOR CYCLING REDUCES POWER CONSUMPTION



SETTLED GRIT TO BE TRANSPORTED BY CONVEYOR SCREW

**WTP EQUIPMENT CORP.**

Manufacturers of Engineered Environmental Treatment Systems

TORONTO, CANADA

[www.wtpcorp.com](http://www.wtpcorp.com)

© 2003 WTP EQUIPMENT CORP. ALL RIGHTS RESERVED

