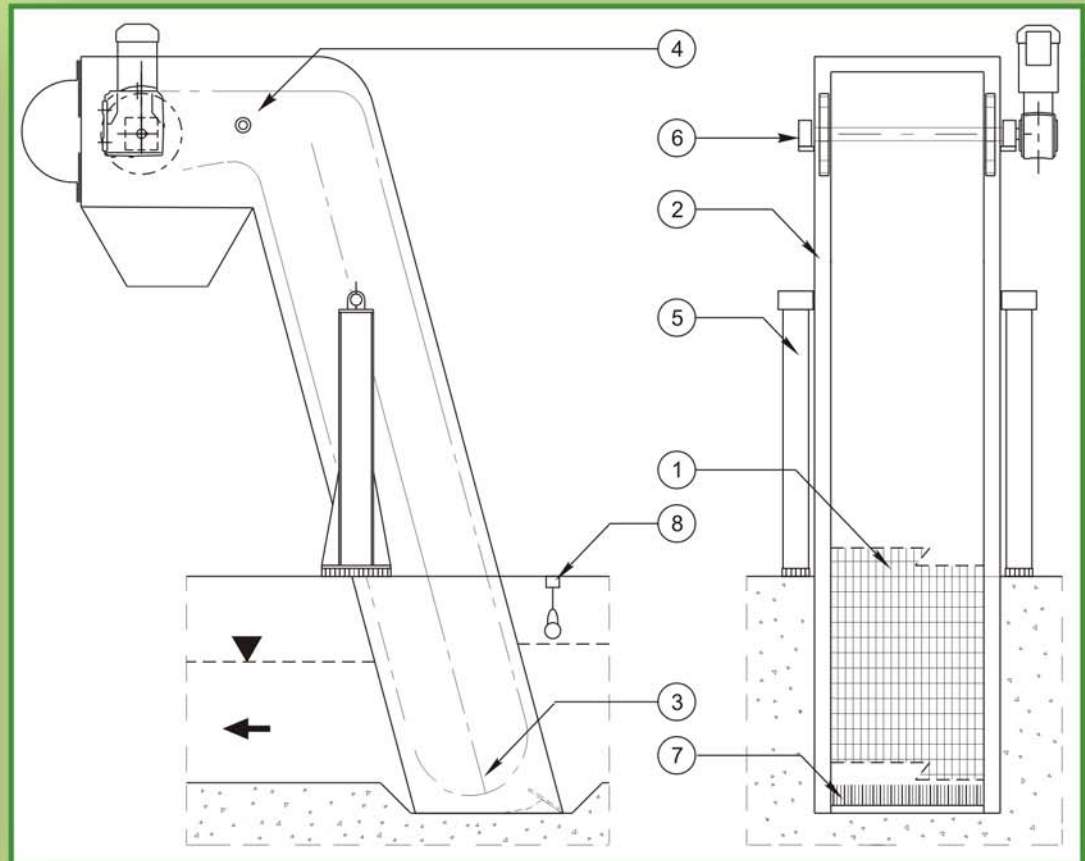


# FINE SCREENS

**WTP Equipment Corp. Filter Belt Fine Screen Model SB**  
continuously cleaned, self-unloading filtering / conveying wastewater screens



## ADVANTAGES

1. **HEAVY DUTY BELT SCREEN** - non-metallic and stainless steel, 2-dimensional grid, filtering / conveying belt provides continuous, self-unloading screenings removal.
2. **STAINLESS STEEL** - heavy duty framework, covers and chute in stainless steel construction for maximum corrosion protection in harsh environments.
3. **NO SUBMERGED SPROCKETS OR BEARINGS TO CORRODE OR FOUL** - belt is carried by dual roller chains along frame-mounted roller guide rails.
4. **SPRAY WASHER** - to automatically wash screenings and to eliminate carry-over.
5. **PIVOTING SUPPORTS** - entire screen will rotate out of the channel for maintenance.
6. **DIRECT DRIVE** - shaft-mounted AGMA II class helical garmotor and stainless steel drive shaft.
7. **CONTAINMENT** - captured screenings are confined to the belt by side aprons and foot brush barrier; optional removable odor control covers available to enclose entire screen above channel top.
8. **HIGH LEVEL CONTROLLER** - automatic override of timed operation with high level switch.
9. **DOUBLE OVERLOAD PROTECTION** - mechanical torque and motor current overload protection.

**WTP EQUIPMENT CORP.**

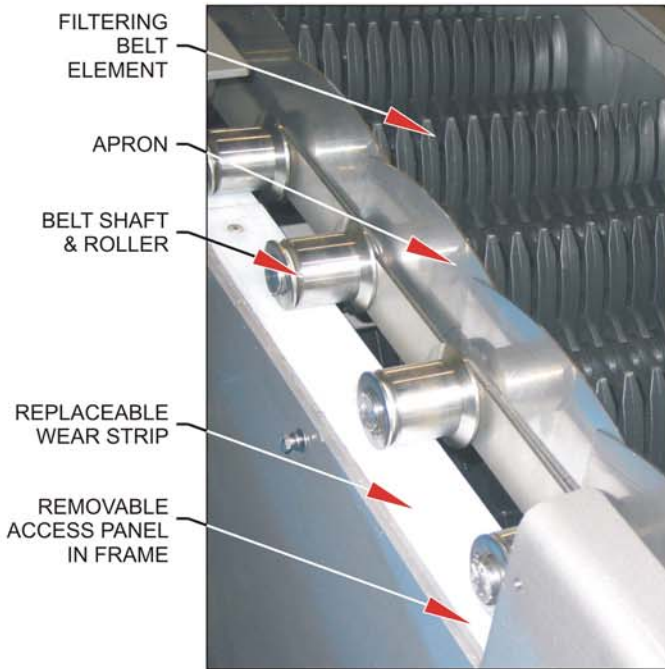
Manufacturers of Engineered Environmental Treatment Systems

TORONTO, CANADA

[www.wtpcorp.com](http://www.wtpcorp.com)

© 2007 WTP EQUIPMENT CORP.  
ALL RIGHTS RESERVED

# FINE SCREEN FEATURES

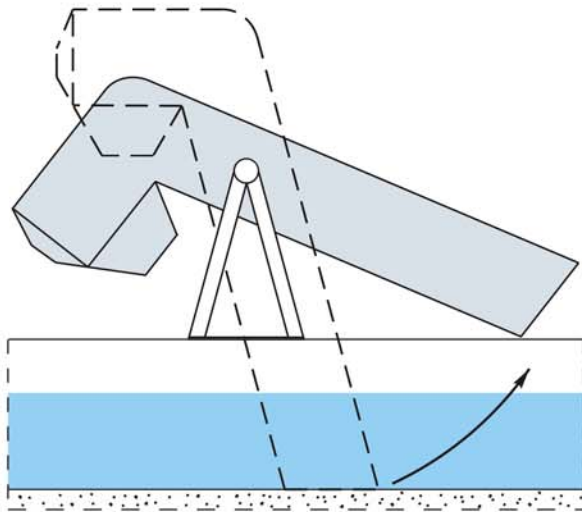


## HEAVY DUTY BELT SCREEN

The filtering / conveying belt captures, transports and unloads screenings as wastewater continuously flows through the screen. Individual filtering belt elements interlock forming a 2-dimensional grid with horizontal and vertical clear openings sized to trap fine solids. The horizontal shelf formed by each row of interlocked filtering belt elements positively lifts and removes larger debris which otherwise may pile up in front of the screen. Each row of filtering belt elements is supported by two pivotally connected stainless steel belt shafts, each riding on dual rollers. Side aprons and brush barriers confine screenings to the conveying belt front surface.

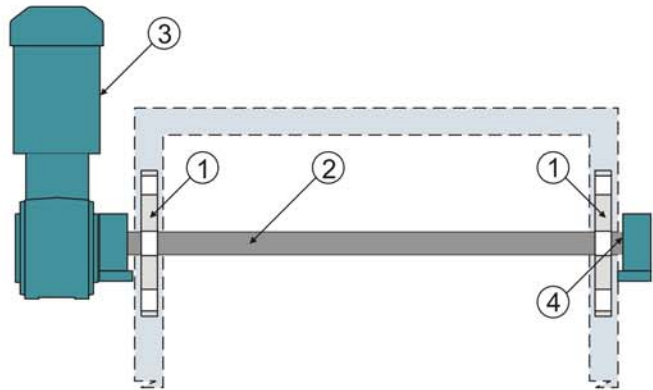
Timed motion of the belt in a series of steps coats the filtering belt with screenings, effectively reducing clear opening size and increasing the capture of finer particles. As the belt moves, screenings are conveyed and unloaded into a discharge chute above the operating floor.

A high level controller automatically overrides intermittent operation to provide continuous operation in response to high loading.



## PIVOTING SUPPORTS

Belt is contained within a heavy duty, self-standing stainless steel framework. The entire screen may be rotated out of the channel for access, inspection and ease of maintenance.



## DIRECT DRIVE ARRANGEMENT

Belt is driven by two split, combination (UHMW-PE rim, stainless steel hub) sprockets ① mounted on a solid stainless steel drive shaft ②. Drive shaft is direct driven by an AGMA II class, hollowshaft helical gearmotor ③. Drive shaft is supported by adjustable end bearings ④.



# WTP EQUIPMENT CORP.

Manufacturers of Engineered Environmental Treatment Systems

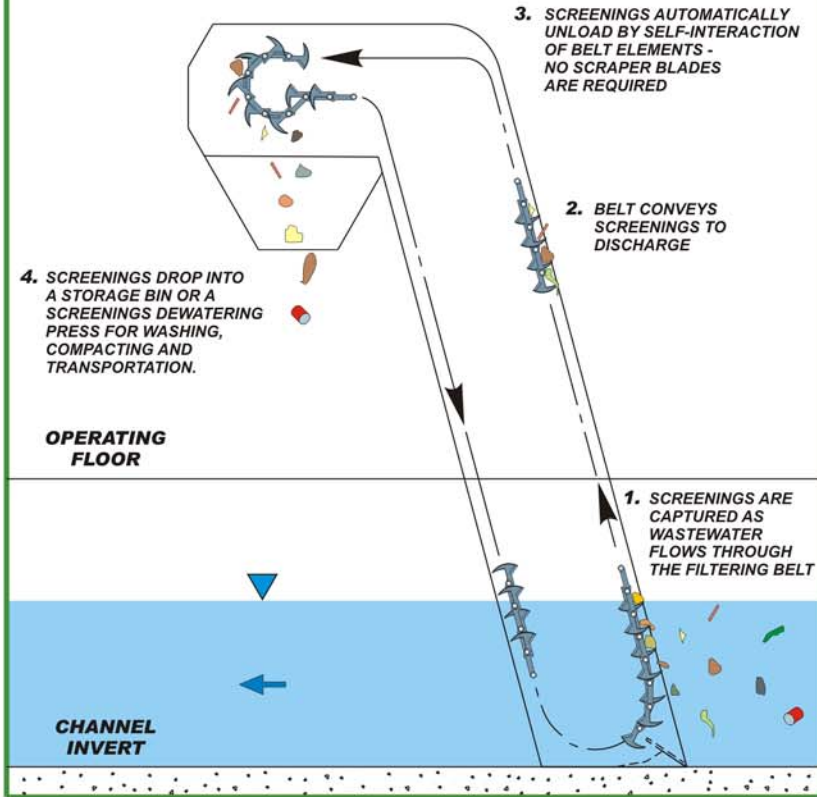
TORONTO, CANADA

www.wtpcorp.com

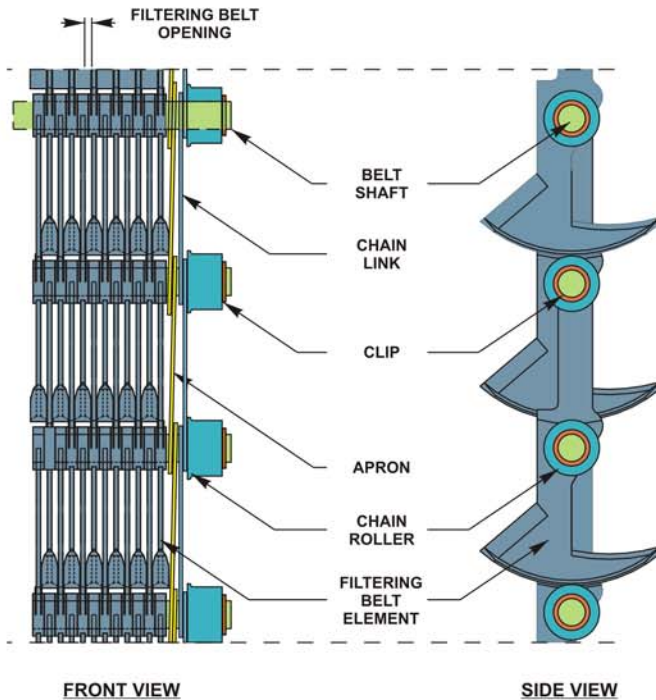
© 2007 WTP EQUIPMENT CORP.  
ALL RIGHTS RESERVED

# OPERATION

Filtering / conveying belt provides continuous, 2-dimensional grid wastewater fine screening. Screenings are captured by the traveling belt, conveyed to discharge and automatically deposited into receiving equipment. Filtering belt operation is self-unloading; mechanical belt cleaning is not required.



## FILTERING - CONVEYING BELT



**WTP EQUIPMENT CORP.**

Manufacturers of Engineered Environmental Treatment Systems

TORONTO, CANADA

[www.wtpcorp.com](http://www.wtpcorp.com)

© 2007 WTP EQUIPMENT CORP.  
 ALL RIGHTS RESERVED

# SCREENINGS HANDLING SYSTEM



**FILTER BELT FINE SCREEN MODEL SB**

**SCREENINGS WASHING DEWATERING PRESS MODEL CPW**

## ***CAPTURE, REMOVE, PROCESS AND DISPOSE FINE SCREENINGS***

Combine a FINE SCREEN and SCREENINGS WASHING DEWATERING PRESS to safely and automatically handle the entire screening process from capture to disposal. The PRESS uses a shaftless conveyor screw to transport and dewater screenings discharged from the SCREEN. Multiple spray washers clean screenings of organics prior to dewatering and compacting. Add an optional bagger on the PRESS discharge to enclose processed screenings for containment, odor control and safety.

**WTP EQUIPMENT CORP.**

Manufacturers of Engineered Environmental Treatment Systems

TORONTO, CANADA

[www.wtpcorp.com](http://www.wtpcorp.com)

© 2007 WTP EQUIPMENT CORP.  
ALL RIGHTS RESERVED