

CONVEYOR SCREENS

WTP Equipment Corp. Conveyor Screen Model CS

a cost-effective screenings handling and processing system in a single, stand-alone unit, engineered for packaged or in-channel applications and ideal for confined space installations.

FEATURES

SCREENING

Solids are separated from the inlet wastewater as it flows through a perforated cylindrical screen at the foot of an inclined screw conveyor.

CONVEYING

Collected screenings are transported up and out of the wastewater channel by a shaftless conveyor screw. Using a shaftless screw reduces the chance of plugging or overloading by stringy and sticky materials.

DEWATERING

Screenings are washed of organics and dewatered during transport in the screw conveyor housing, reducing discharged screenings volume, odor and moisture content for easier and less expensive off-site disposal. Organics laden reject water is returned to the process.



PERFORATED CYLINDRICAL SCREEN



WASTEWATER SCREENING
DIGESTER CLEANOUT
SEPTAGE RECEIVING



WTP EQUIPMENT CORP.

Manufacturers of Engineered Environmental Treatment Systems

TORONTO, CANADA

www.wtpcorp.com

© 2003 WTP EQUIPMENT CORP.
ALL RIGHTS RESERVED

WTP EQUIPMENT CORP.

COMPLETE HEADWORKS
INSTALLATION PROVIDING
SCREENING & GRIT REMOVAL:

CONVEYOR SCREEN
VORTEX GRIT CHAMBER
GRIT CLASSIFIER

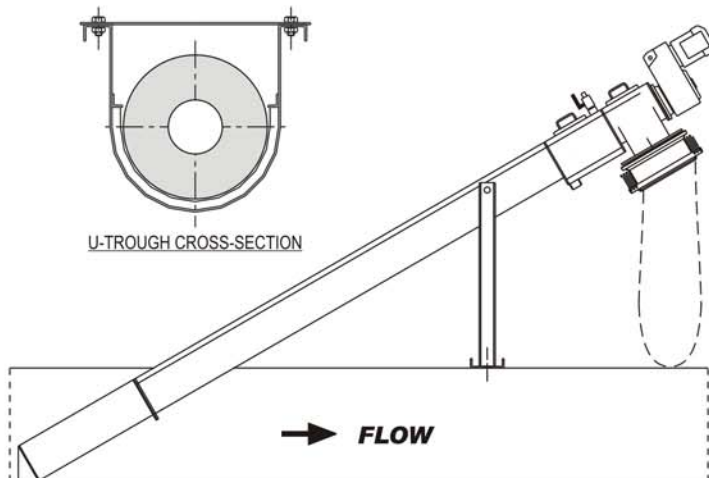


CONVEYOR SCREENS

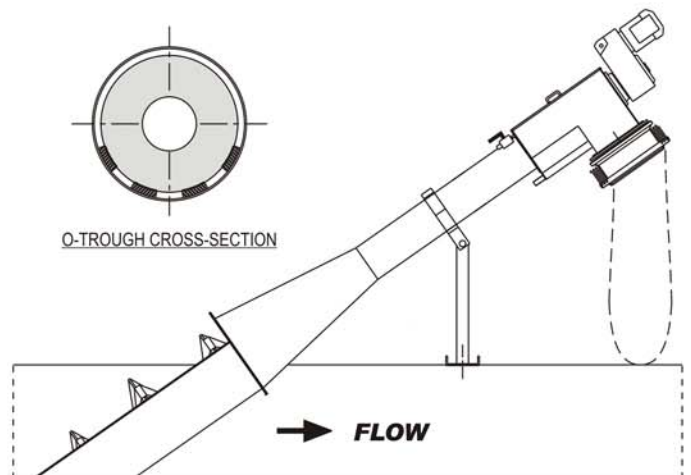
TWO DESIGNS TO CHOOSE FROM:

Standard U-trough conveyor screw housing with constant diameter shaftless screw and bolted covers, allowing easy access to interior for maintenance and inspection. Choice of long-lasting non-metallic sheet or stainless steel flatbar housing wearliner.

Circular conveyor screw housing with stainless steel flatbar wearliner, allowing screen installation at higher angles thereby reducing screen footprint for tight space installations. Higher capacity expanded diameter shaftless screw in the screen section for wider channel and higher flow applications.



STANDARD



HIGH CAPACITY



WTP EQUIPMENT CORP.

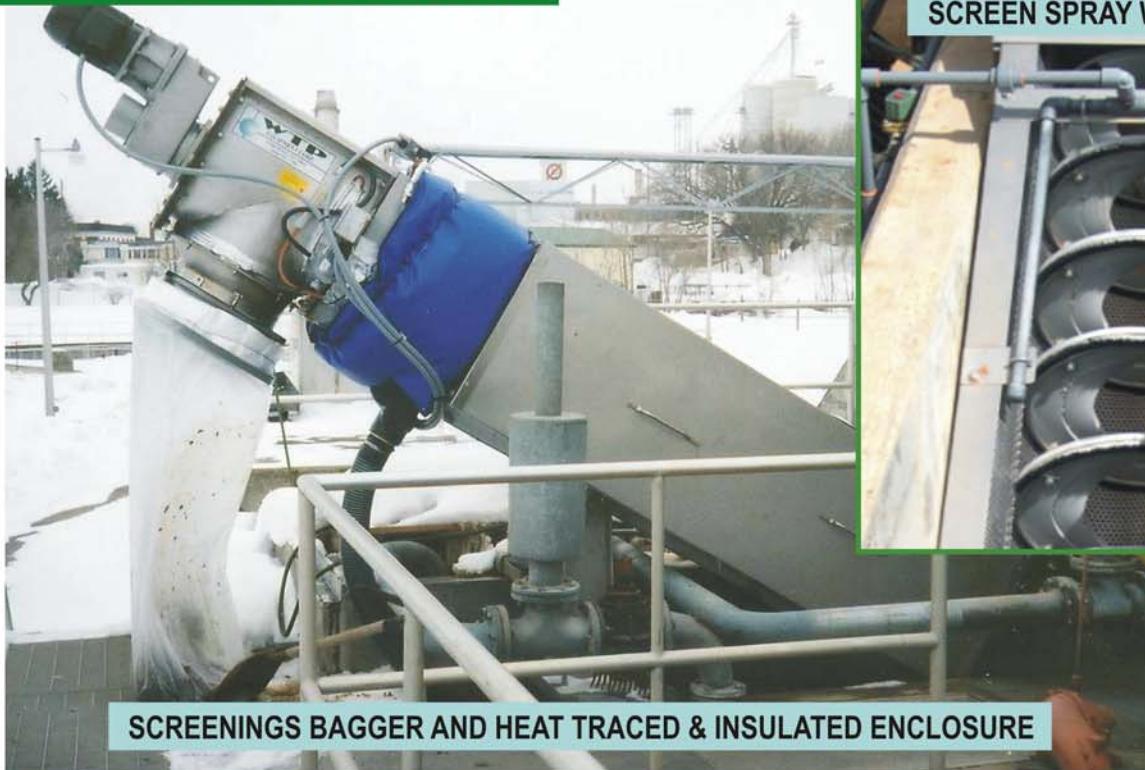
Manufacturers of Engineered Environmental Treatment Systems

TORONTO, CANADA

www.wtpcorp.com

© 2003 WTP EQUIPMENT CORP.
ALL RIGHTS RESERVED

CONVEYOR SCREENS



STAINLESS STEEL PERFORATED PLATE SCREEN.

SCREW TRAILING EDGE REPLACEABLE NON-METALLIC BRUSH CONTINUOUSLY CLEANS SCREEN.

SHAFTLESS SCREW - HEAVY DUTY, HARDENED STEEL FLATBARS FOR MAXIMUM STRENGTH AND WEAR AND CORROSION RESISTANCE.

SCREW LEADING EDGE NON-METALLIC REPLACEABLE SPIRAL BEARING WEAR SHOES ELIMINATE SCREEN SECTION METAL-METAL CONTACT.

ADVANTAGES

- Shaftless screw dewaterers and compacts coarse and stringy wastewater screenings - there are no internal shafts or bearings that may cause plugging.
- Completely enclosed housing for product containment, odor control and personal safety. Removable and hinged covers are provided for ease of inspection and maintenance.
- Optional add-on Screenings Washing Stage for reduction of organics in discharged screenings.
- Optional add-on Screenings Bagger for containment of discharged screenings.

WTP EQUIPMENT CORP.

Manufacturers of Engineered Environmental Treatment Systems

TORONTO, CANADA

www.wtpcorp.com

© 2003 WTP EQUIPMENT CORP.
ALL RIGHTS RESERVED



WTP EQUIPMENT CORP.

HIGH CAPACITY CONVEYOR SCREEN
MODEL CS70

- **DISCHARGE BAGGER**
- **PIVOTING SUPPORT**
- **HINGED PROTECTIVE COVER
OVER SCREEN SECTION**



WTP EQUIPMENT CORP.

CONVEYOR SCREEN MODEL CS25

- **HEAT TRACED & INSULATED
ENCLOSURE**
- **PIVOTING SUPPORT**



WTP EQUIPMENT CORP.

Manufacturers of Engineered Environmental Treatment Systems

TORONTO, CANADA

www.wtpcorp.com

© 2003 WTP EQUIPMENT CORP.
ALL RIGHTS RESERVED